

NOTES:

1. SAN JUAN COUNTY UTILITY PERMIT REQUIRED FOR WORK IN THE PUBLIC RIGHT-OF-WAY.
2. COORDINATE ANY NEEDED STORMDRAIN IMPROVEMENTS WITH THE COUNTY UTILITY MANAGER.



PUBLIC WORKS DEPARTMENT  
 SAN JUAN COUNTY  
 P.O. BOX 729 FRIDAY HARBOR, WA 98250  
 (360)378-2114 FAX (360)378-6405

STANDARD EASTSOUND STREET  
 DEVELOPMENT DETAIL

**(A) PARALLEL PARKING STREET SECTION**

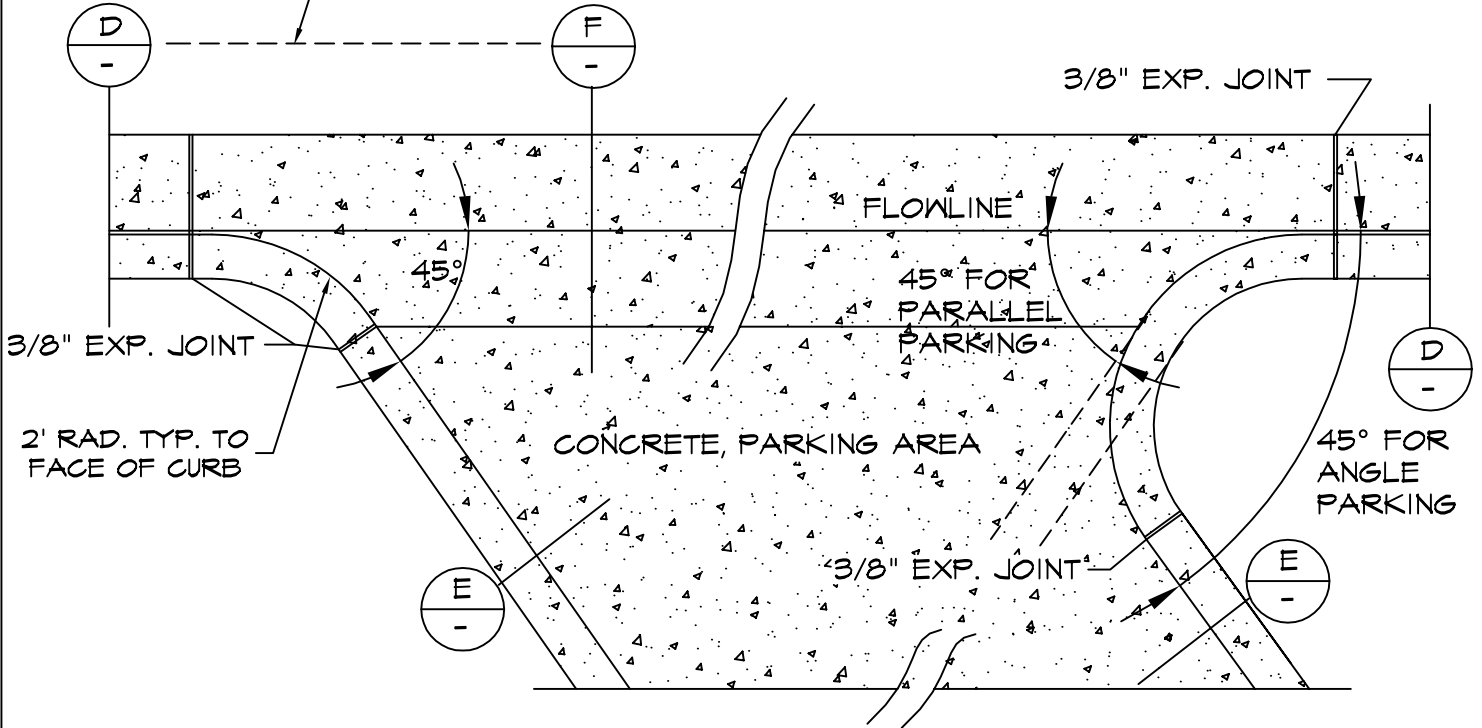
APPROVED BY;

COUNTY ENGINEER

DATE

HOT MIX ASPHALT PAVING, TRAVEL LANE

SAWCUT EXIST. PAVEMENT APPROX. 6" FROM EDGE OF GUTTER.  
 BACKFILL WITH BALLAST AND TOPCOURSE TO THE FINISH SURFACE.  
 COUNTY TO PATCH WITH HOT MIX ASPHALT OR CHIPSEAL AS NEEDED.



NOTE: PAVEMENT STRIPING TO BE PROVIDED BY THE COUNTY.



PUBLIC WORKS DEPARTMENT  
 SAN JUAN COUNTY  
 P.O. BOX 729 FRIDAY HARBOR, WA 98250  
 (360)378-2114 FAX (360)378-6405

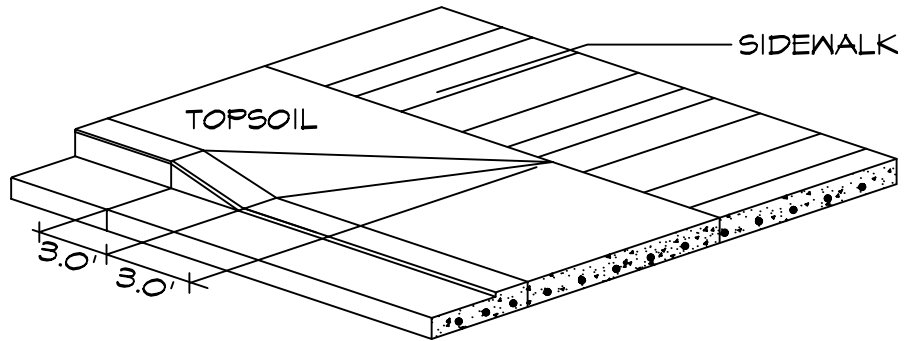
STANDARD EASTSOUND STREET  
 DEVELOPMENT DETAIL

ⓔ CURB & GUTTER / GUTTER TRANSITION

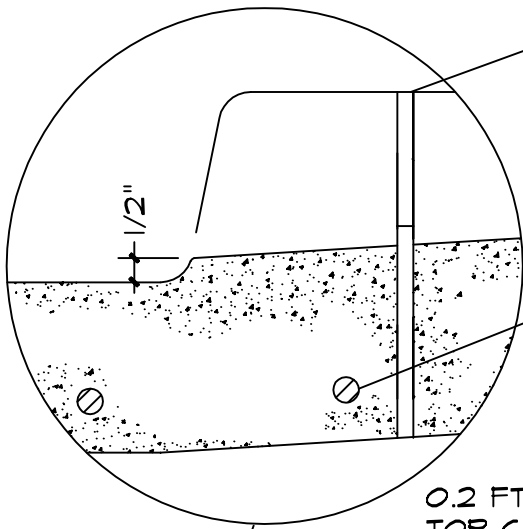
APPROVED BY;

COUNTY ENGINEER

DATE



HALF ISOMETRIC

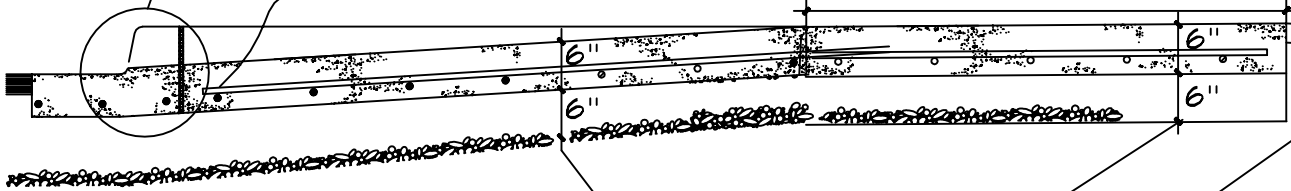


3/8" EXPANSION JOINT

#5 REBAR

0.2 FT HMA PAVEMENT OR 0.3 FT CRUSHED SURFACING  
TOP COURSE AS NOTED ON THE LAYOUT SHEETS

# 5 REBAR 8" O.C. EACH WAY CEMENT CONCRETE SIDEWALK



BALLAST

CATCH POINT/LIMIT OF WORK AS STAKED BY  
THE ENGINEER IN THE FIELD. SLOPE AT +/- 4% FOR 15 FEET

STANDARD EASTSOUND STREET  
DEVELOPMENT DETAIL

© RAISED DRIVEWAY APRON

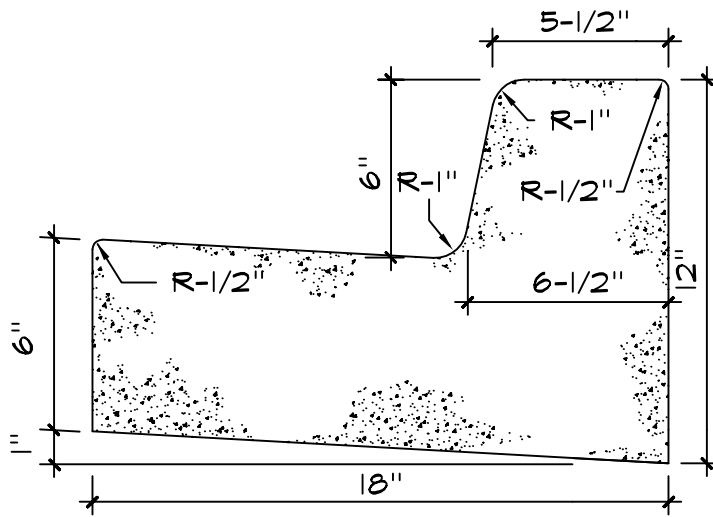
APPROVED BY;

COUNTY ENGINEER

DATE



PUBLIC WORKS DEPARTMENT  
SAN JUAN COUNTY  
P.O. BOX 729 FRIDAY HARBOR, WA 98250  
(360)378-2114 FAX (360)378-6405



PUBLIC WORKS DEPARTMENT  
 SAN JUAN COUNTY  
 P.O. BOX 729 FRIDAY HARBOR, WA 98250  
 (360)378-2114 FAX (360)378-6405

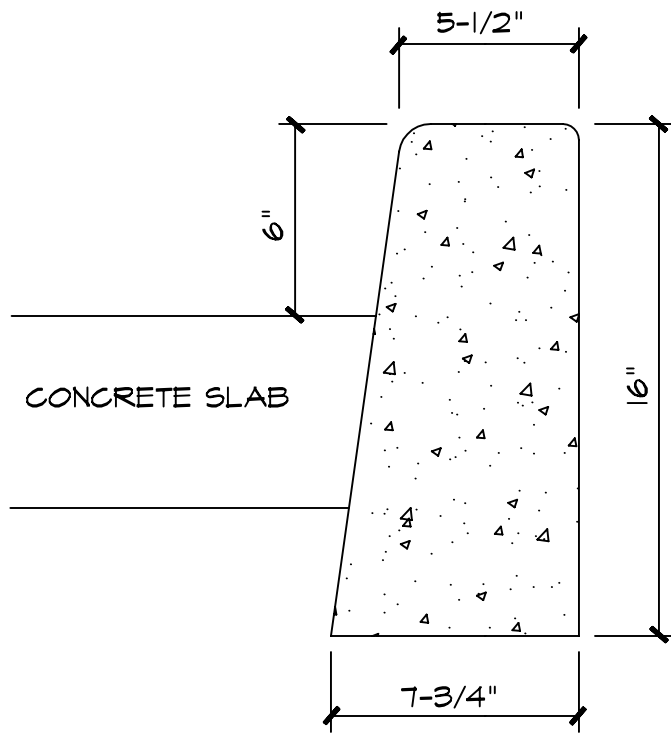
STANDARD EASTSOUND STREET  
 DEVELOPMENT DETAIL

① CONCRETE CURB AND GUTTER

APPROVED BY;

COUNTY ENGINEER

DATE



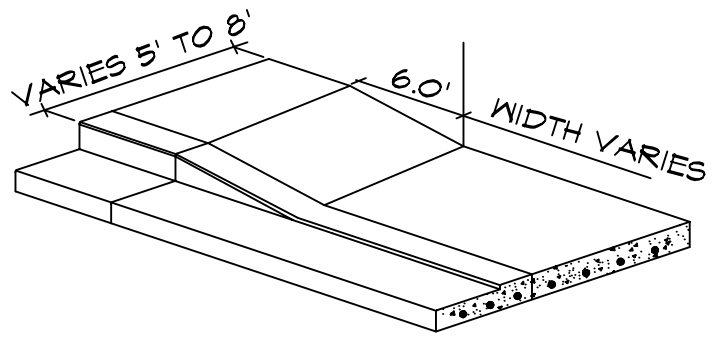
PUBLIC WORKS DEPARTMENT  
 SAN JUAN COUNTY  
 P.O. BOX 729 FRIDAY HARBOR, WA 98250  
 (360)378-2114 FAX (360)378-6405

STANDARD EASTSOUND STREET  
 DEVELOPMENT DETAIL

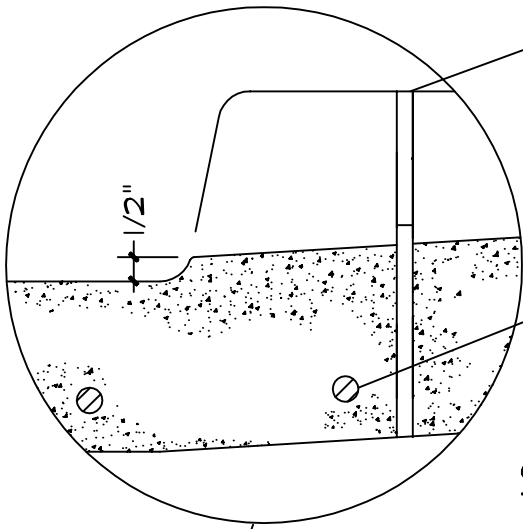
ⓔ CONCRETE CURB

APPROVED BY;  
 \_\_\_\_\_  
 COUNTY ENGINEER DATE





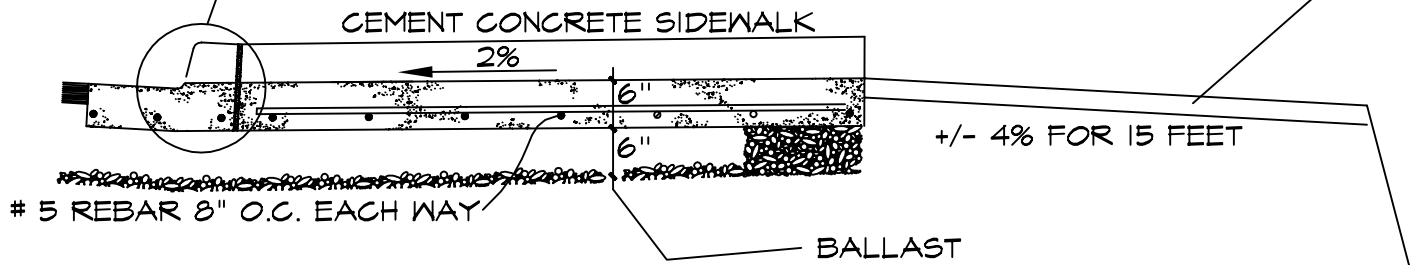
HALF ISOMETRIC



3/8" EXPANSION JOINT

NO.5 REBAR

0.2 FT A/C PAVEMENT OR 0.3 FT CRUSHED SURFACING  
TOP COURSE AS NOTED ON THE LAYOUT SHEETS



CEMENT CONCRETE SIDEWALK

2%

+/- 4% FOR 15 FEET

# 5 REBAR 8" O.C. EACH WAY

BALLAST

CATCH POINT/LIMIT OF WORK AS STAKED BY  
THE ENGINEER IN THE FIELD.

STANDARD EASTSOUND STREET  
DEVELOPMENT DETAIL

Ⓢ DEPRESSED DRIVEWAY APRON

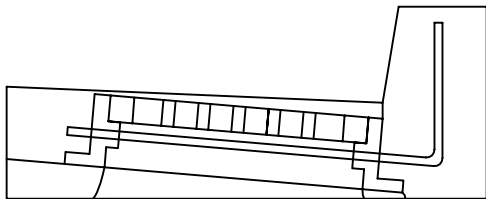
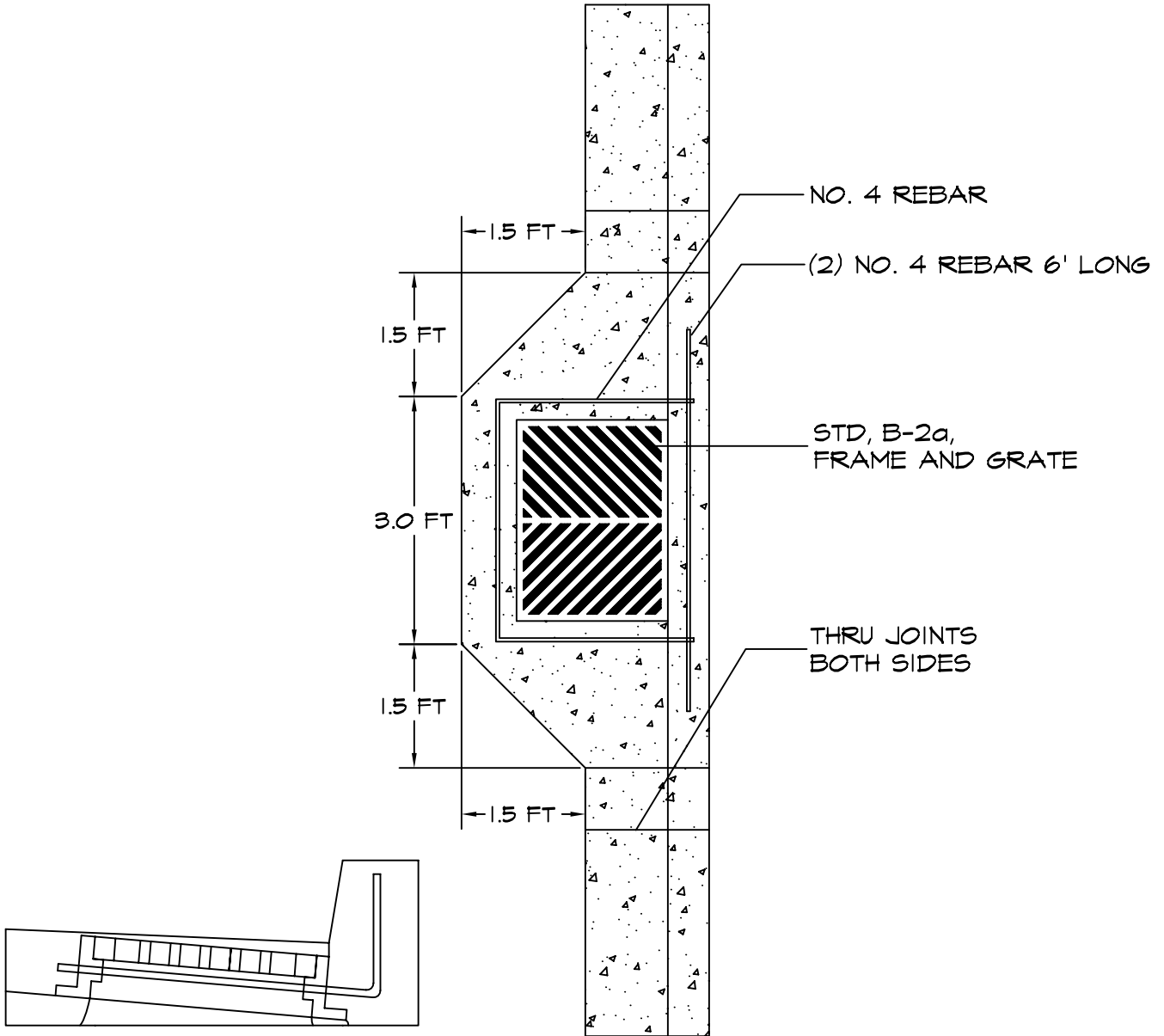
APPROVED BY;

COUNTY ENGINEER

DATE



PUBLIC WORKS DEPARTMENT  
SAN JUAN COUNTY  
P.O. BOX 729 FRIDAY HARBOR, WA 98250  
(360)378-2114 FAX (360)378-6405



STANDARD EASTSOUND STREET  
DEVELOPMENT DETAIL

(H) CATCH BASIN AT CURB AND GUTTER

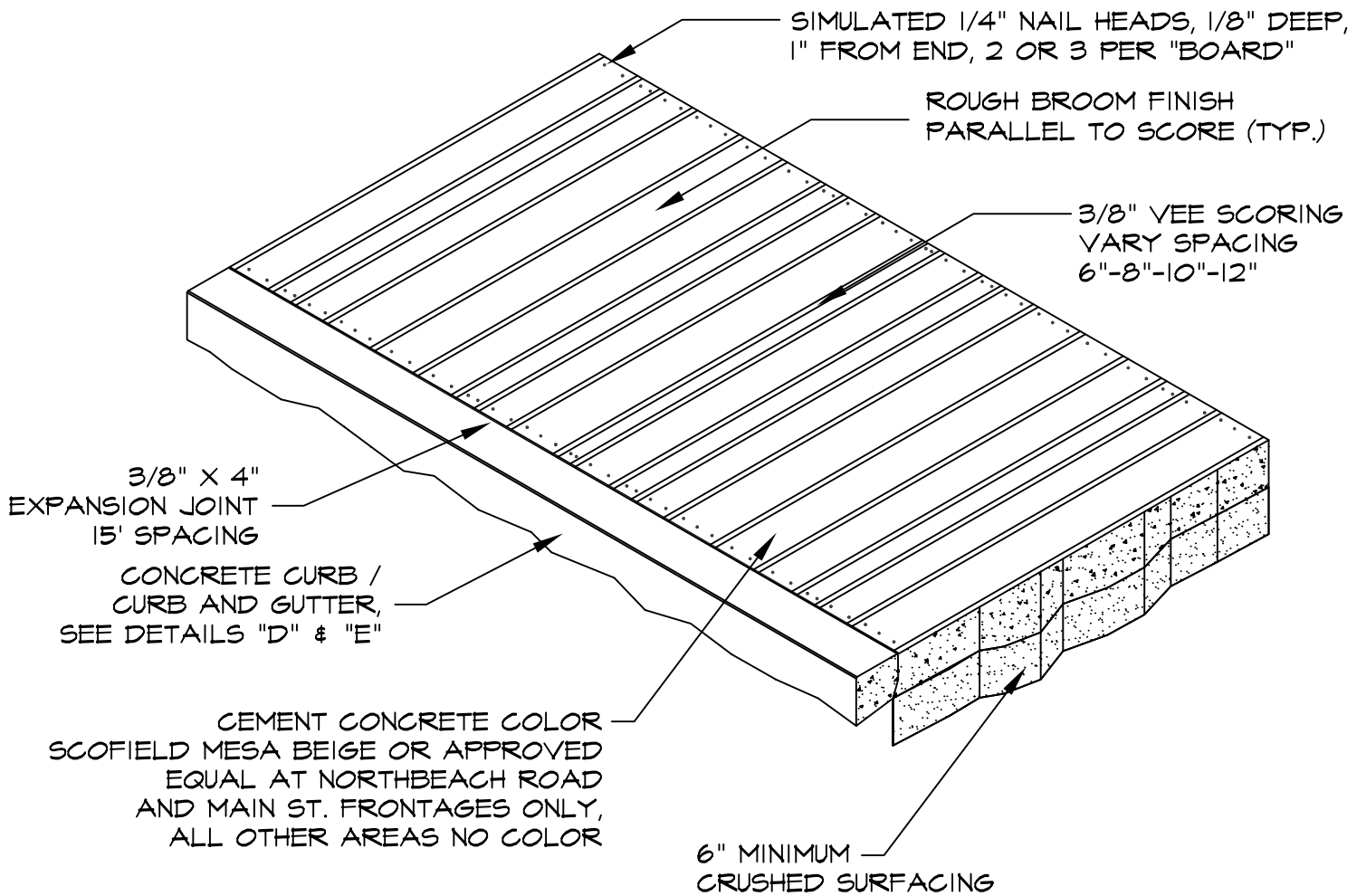
APPROVED BY;

COUNTY ENGINEER

DATE



PUBLIC WORKS DEPARTMENT  
SAN JUAN COUNTY  
P.O. BOX 729 FRIDAY HARBOR, WA 98250  
(360)378-2114 FAX (360)378-6405



NOTE: AN ALTERNATE SIDEWALK FINISH MAY BE USED WHEN PROPOSED BY THE DEVELOPER, BUT ONLY WHEN SPECIFICALLY REVIEWED AND APPROVED BY THE COUNTY ENGINEER.



PUBLIC WORKS DEPARTMENT  
 SAN JUAN COUNTY  
 P.O. BOX 729 FRIDAY HARBOR, WA 98250  
 (360)378-2114 FAX (360)378-6405

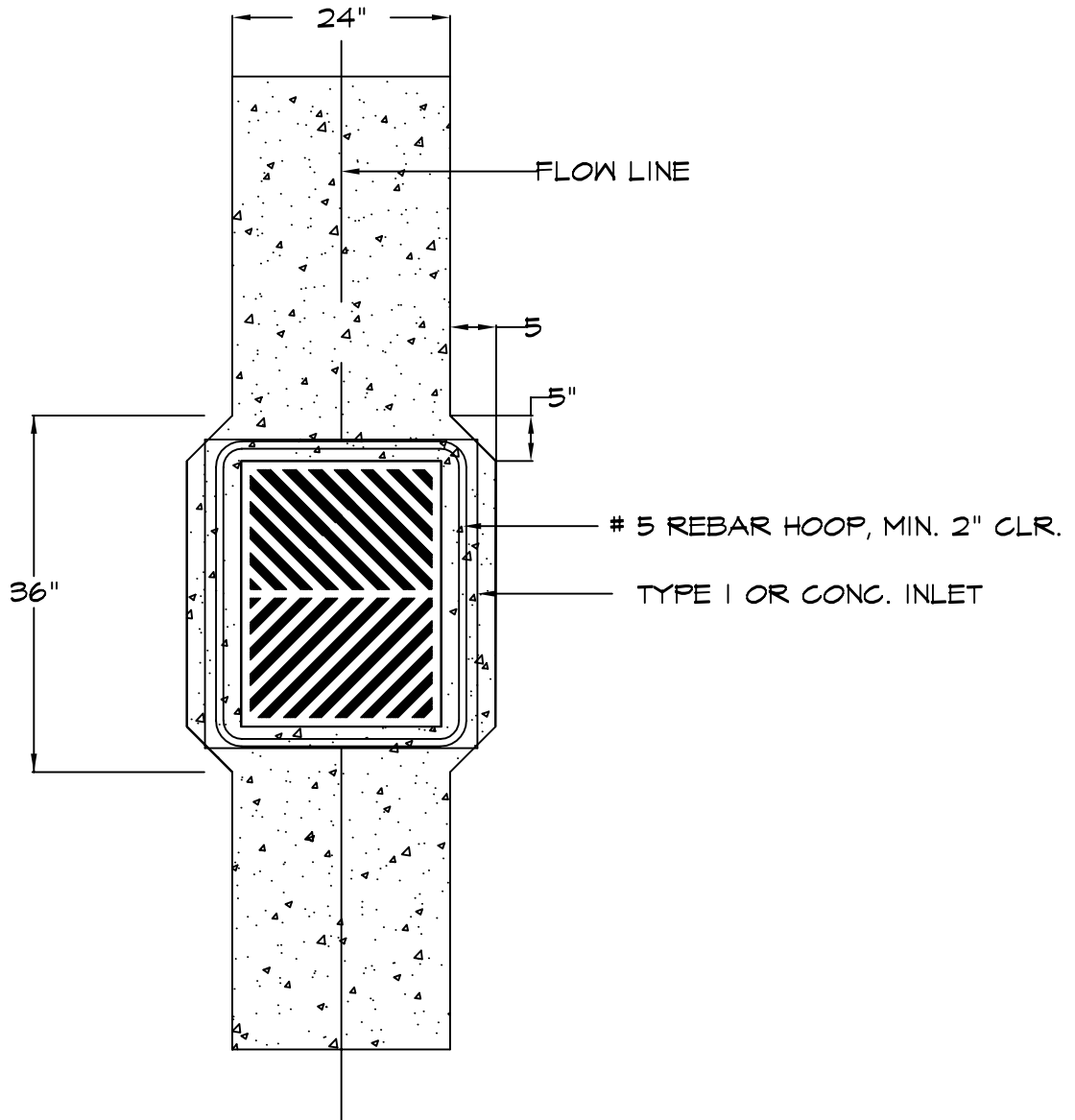
STANDARD EASTSOUND STREET DEVELOPMENT DETAIL

(M) BOARDWALK CONCRETE SIDEWALK

APPROVED BY;

COUNTY ENGINEER

DATE



STANDARD EASTSOUND STREET  
DEVELOPMENT DETAIL

© TYPICAL GUTTER CATCH BASIN

APPROVED BY;

COUNTY ENGINEER DATE



PUBLIC WORKS DEPARTMENT  
SAN JUAN COUNTY  
P.O. BOX 729 FRIDAY HARBOR, WA 98250  
(360)378-2114 FAX (360)378-6405