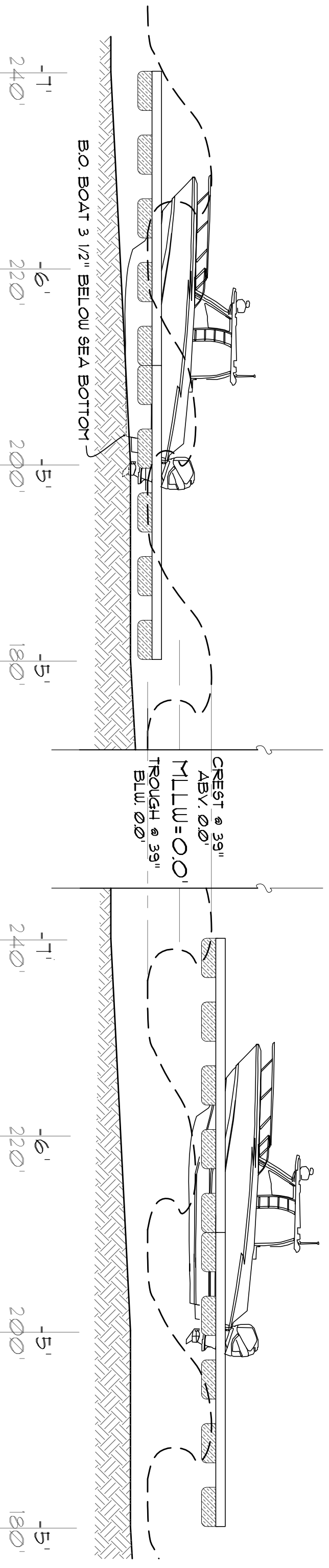


PROJECT AREA

FROM NOAA CHART 18434
MLLW = 0'



DOCK PLAN and ELEVATION: 1" = 30'

PER WATERFRONT CONSTRUCTION PLAN DETAILS, ELEVATION, AND DIVE SURVEY SUBMISSION 5/26/17

NEAP TIDES 2018: at or below 0.0' (MLLW)
Friday Harbor Tidal Station

MAY	JUNE	JULY	AUGUST	SEPT.	OCT.
18	17	18	11	7	13

FLOAT DETAIL AT 2 METER SUMMER PEAK WAVE HT. MLLW = 0.0' TIDE

BOAT IMAGE FROM WHALER 350 USER'S MANUAL: LOA=35'-6" ± BEAM=10'-10" ± DRAFT =24.5" PER MFGRS. SPECIFICATIONS
FLOATS SUBMERGED 12" BELOW WATERLINE AS DEFINED IN ORCA DREAMS BIOLOGICAL ASSESSMENT 10/24/17

SCALE: 1" = 10'